

Numbering system:

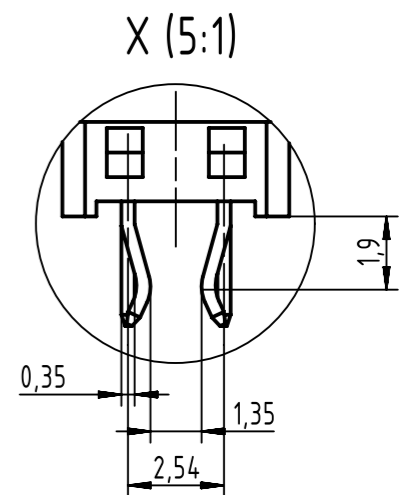
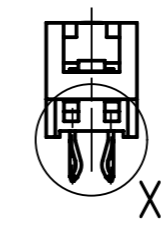
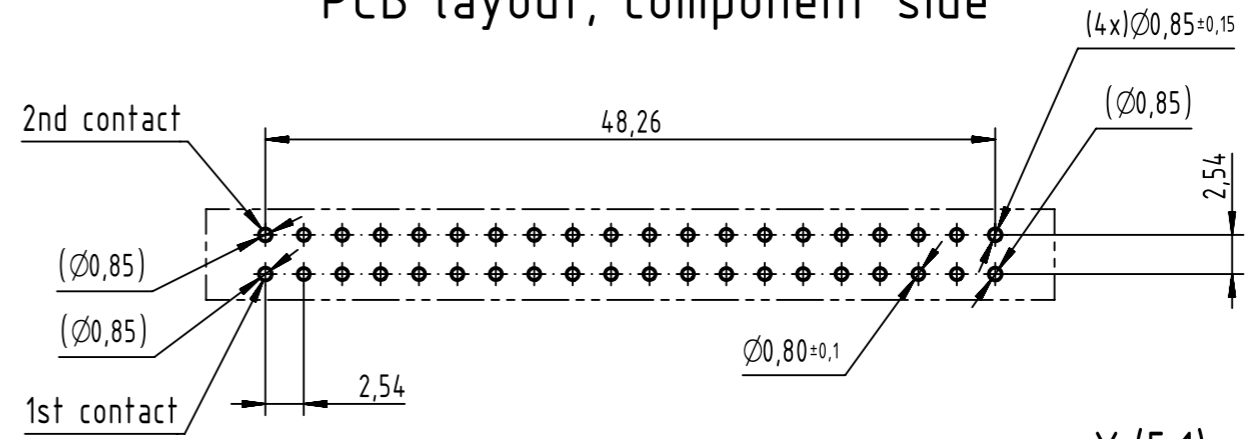
0918 140 942X

- 2: Pre-assembled cover and without strain relief
- 3: Pre-assembled cover and with strain relief
- 4: Non-assembled cover and without strain relief
- 5: Non-assembled cover and with strain relief

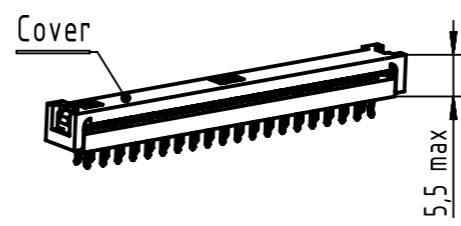
Note: strain relief can be ordered separately: P/N 0918 140 9002  
 technical information available on separate document ref.: DS 09185100600

Part Number	Packing quantity
0918 140 942X	100pcs/packing

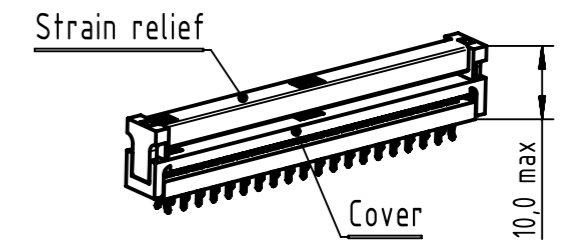
### PCB layout, component side



Assembled cover without strain relief



Assembled cover with strain relief



	All rights reserved Department EC PD - CN	All Dimensions in mm Original Size DIN A3	Scale 2:1	Free size tol.	Ref. Sub.
	HARTING Electronics GmbH D-32339 Espelkamp	Created by ZHUANGJ	Inspected by LUOK	Standardisation HOFFMANN	Date 2015-11-16
Title SEK 2rows 40-pole kinked pin assembly					State Final Release
Type TB				Number 0918140942X	Doc-Key / ECM-Nr. 100647179/UGD/000/A 50000096926
				Rev. A	Page 1/1